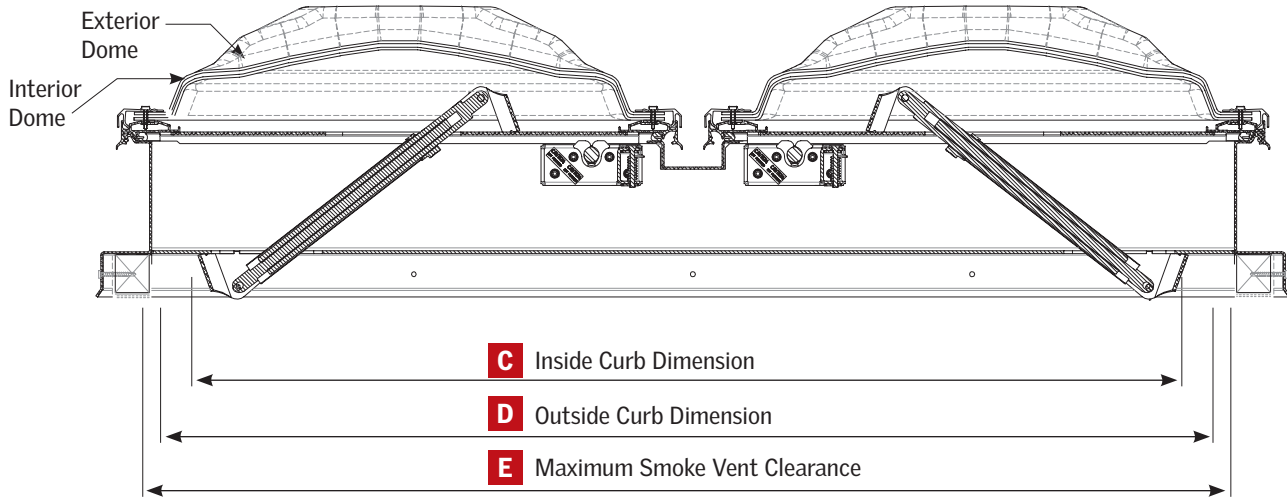




Double Dynamic Dome Smoke Vent



Product code	CSV		Description Mount Smoke Vent					
VELUX size	4848		4896		6072*			
C Inside curb dimension	48" x 48"		48" x 96"		60" x 72"			
D Outside curb dimension	51" x 51"		51" x 99"		63" x 75"			
E Maximum smoke vent clearance	52 1/4" x 52 1/4"		52 1/4" X 101 1/4"		64 1/2" x 76 1/4"			
Dome type	X - Blown dome			D - Dynamic Dome				
Exterior dome	P1 - Clear polycarbonate exterior single dome (0.118" tick)			P2 - White polycarbonate exterior single dome (0.118" tick)				
Interior dome	P1 - Clear polycarbonate (0.118" thick) over (0.118") smooth		P2 - White polycarbonate		C2 - White prismatic			
Fusible link codes and temperatures (F)	FA - 165	FB - 212	FC - 280	FD - 350	FE - 360	FF - 370	FG - 386	FH - 450
Roof pitch	0 - 60 degrees							

Example ordering code	Double Dynamic dome smoke vent with clear prismatic outer dome, a white prismatic inner dome and 350 degree fusible link					
	CSV 6072 DP1C2FD					
	CSV Product Code	6072 VELUX Size	D Dome Type	P1 Exterior Dome	C2 Interior Dome	FD Fusible Link

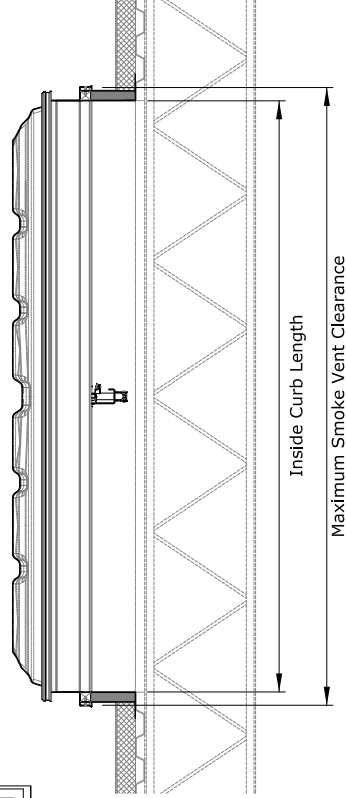
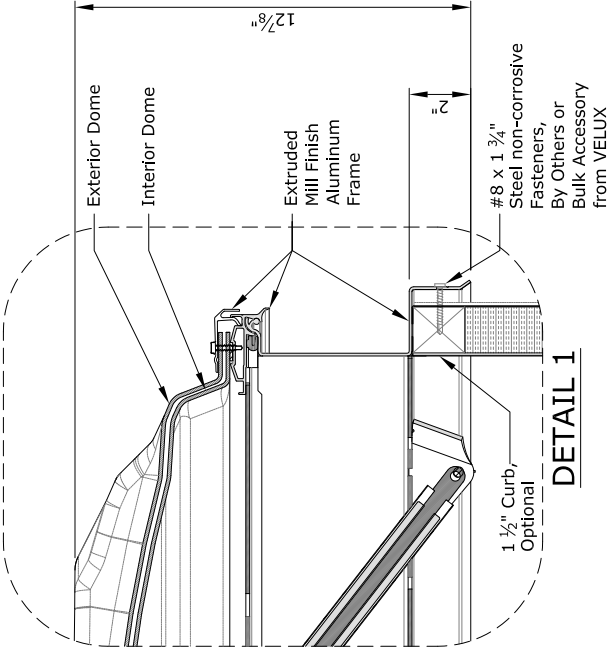
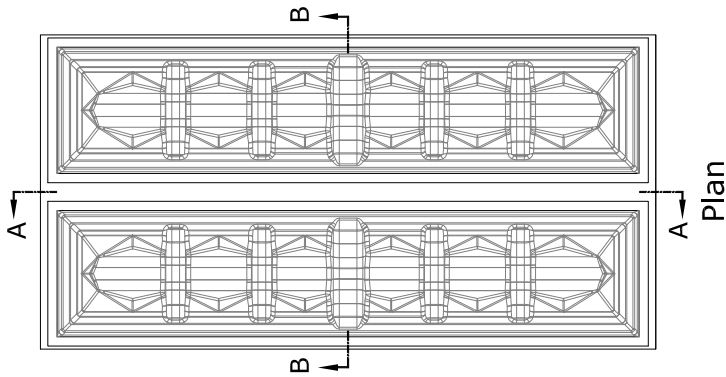
VELUX Dynamic Dome Smoke Vent - Dynamic Dome Daylighting Smoke Vents (CSV) designed by Babcock Davis to exhaust smoke and heat when the fusible link temperature is reached

Details

- Cover - extruded aluminum frame, 11 gauge, mill finish
- Frame - single wall curb mount
- Gasket - extruded EPDM
- Hinge - extruded continuous hinge
- Spring - gas spring damper opens against 10psf load
- Hold Open Arm - locks cover in the fully open position
- Latch - linc plate steel rotary latch designed to hold covers closed against a 90psf upward load
- Fusible link - opens automatically when fusible link temperature is reached
- Certifications - UL 793 listed and FM certified

Safety precautions

- The smoke vent doors are under spring pressure and will spring open upon release and latch actuation with the manual pull handle(s) or the fusible melt-out link.
- Follow all OSHA fall protection recommendations when operating and working near smoke vents.



SECTION A-A

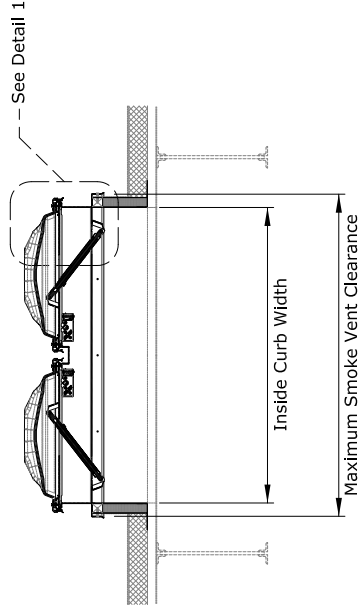
GENERAL NOTES

1. This drawing emphasizes the CSV Double Dynamic Dome Smoke Vent. It illustrates a general arrangement layout (plus recommendations) for a CSV installation in a 0-60 degree roof pitch application. The CSV Double Dynamic Dome Smoke Vent installs directly on site built or prefabricated curbs. The architectural/structural design and specifications for the inclusion of a commercial smoke vent, such as the CSV Double Dynamic Dome Smoke Vent, in any roofing/ceiling application is determined and provided by others. The design criteria includes, but is not limited to design loads, structural configurations, structural framing member sizes and material, architectural finishes and integration with the roofing/ceiling systems of the building. VELUX recommends compliance by all designers and installers with all local and industry specific building codes and guidelines. VELUX assumes no responsibility or liability in the design, construction and performance of a building structure by others.
3. The CSV Frame is mill finish.

This drawing is an instrument of service and is provided for informational use only.
 © 2018 VELUX GROUP

Double Dynamic Dome Smoke Vent

Single Dynamic Dome Smoke Vent Options					
Size	QTY	Dome	Exterior	Interior	
4848		X	P1	P1	
4896		D	P2	P2	
6072				C2	
Fusible Link Temperature					
FA =165F	FA =212F	FC =280F	FD =350F	FE =360F	
FF =370F	FG =386F	FH =450F			



SECTION B-B

1418 Evans Pond Road
 Greenwood, SC 29649
 T-800-888-VELUX
 www.VELUXUSA.com

Double Dynamic Dome Smoke Vent

© VELUX is a registered trademark