

TECHNICAL SPECIFICATIONS DOBERMANN 2



TECHNICAL DATA

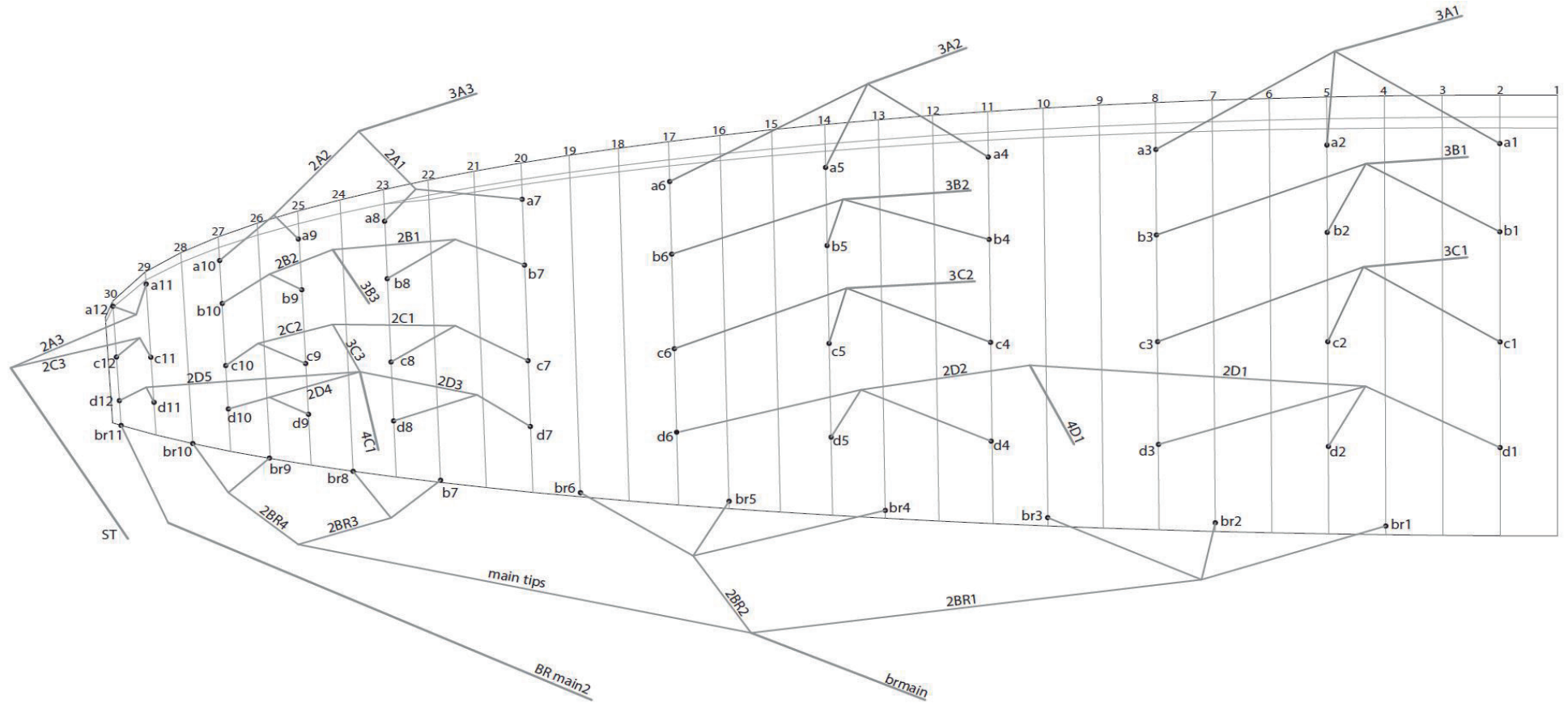
DOBERMANN 2			15	16	17	18	19	20
CELLS	NUMBER		60	60	60	60	60	60
	CLOSED		16	16	16	16	16	16
	BOX		23	23	23	23	23	23
FLAT	AREA	m ²	14,5	16	17	18	19	20
	SPAN	m	9,25	9,72	10,02	10,31	10,59	10,86
	ASPECT RATIO		5,9	5,9	5,9	5,9	5,9	5,9
PROJECTED	AREA	m ²	12,34	13,61	14,46	15,31	16,16	17,01
	SPAN	m	7,45	7,83	8,1	8,3	8,53	8,75
	ASPECT RATIO		4,5	4,5	4,5	4,5	4,5	4,5
FLATTENING		%	15	15	15	15	15	15
CORD	MAXIMUM	m	1,91	2,01	2,07	2,13	2,19	2,24
	MINIMUM	m	0,46	0,48	0,5	0,51	0,53	0,54
	AVERAGE	m	1,57	1,65	1,70	1,75	1,79	1,84
LINES	TOTAL METERS	m	257	271	280	289	297	305
	HEIGHT	m	5,72	6,01	6,19	6,37	6,55	6,72
	NUMBER		178	178	178	178	178	178
	MAIN		2+1/4/3/1	2+1/4/3/1	2+1/4/3/1	2+1/4/3/1	2+1/4/3/1	2+1/4/3/1
RISERS	NUMBER	4	A+A'/B/C/D	A+A'/B/C/D	A+A'/B/C/D	A+A'/B/C/D	A+A'/B/C/D	A+A'/B/C/D
	TRIMS	m/m	150	150	150	150	150	150
	ACCELERATOR	m/m	180	180	180	180	180	180
	COURSE CORRECTION		YES	YES	YES	YES	YES	YES
INTERMEDIATE WEIGHT	MINIMUM	kg	60	65	70	75	80	85
IN FLIGHT	MAXIMUM	kg	95	105	115	125	135	145
GLIDER WEIGHT		kg	3,8	4,1	4,3	4,5	4,65	4,8
CERTIFICATION	8G MAXIMUM 148 KG		EN 926-1	EN 926-1	EN 926-1	EN 926-1	EN 926-1	EN 926-1
	5,25G MAXIMUM 225 KG		DGAC	DGAC	DGAC	DGAC	DGAC	DGAC

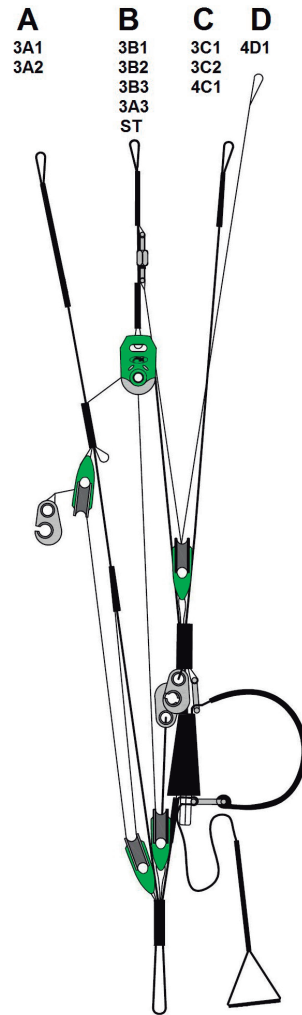
MATERIALS TECHNICAL DATA

CANOPY	FABRIC CODE	SUPPLIER
UPPER SURFACE	9017 E25	PORCHER IND (FRANCE)
BOTTOM SURFACE	N 20 DMF	DOMINICO TEX CO
PROFILES	9017 E29	PORCHER IND (FRANCE)
DIAGONALS	9017 E29	PORCHER IND (FRANCE)
LOOPS	LKI - 10	KOLON IND. (KOREA)
REINFORCEMENT LOOPS	W-420	D-P (GERMANY)
TRAILING EDGE REINFORCEMENT	MYLAR	D-P (GERMANY)
RIB REINFORCEMENT	LTN-0.8 STICK	SPORTWARE CO.CHINA
THREAD	SERAFIL 60	AMAN (GERMANY)

SUSPENSION LINES	FABRIC CODE	SUPPLIER
UPPER CASCADES	16330	COUSIN (FRANCE)
UPPER CASCADES	12240	COUSIN (FRANCE)
UPPER CASCADES	16140	COUSIN (FRANCE)
UPPER CASCADES	DC - 40	LIROS GMHB (GERMANY)
UPPER CASCADES	DC - 60	LIROS GMHB (GERMANY)
UPPER CASCADES	DC - 100	LIROS GMHB (GERMANY)
MIDDLE CASCADES	16330	COUSIN (FRANCE)
MIDDLE CASCADES	12240	COUSIN (FRANCE)
MIDDLE CASCADES	16140	COUSIN (FRANCE)
MIDDLE CASCADES	TNL - 80	TEIJIM LIMITED (JAPAN)
MAIN	12950	COUSIN (FRANCE)
MAIN	16560	COUSIN (FRANCE)
MAIN	16330	COUSIN (FRANCE)
MAIN	12240	COUSIN (FRANCE)
MAIN	12470	COUSIN (FRANCE)
MAIN BREAK	TNL - 280	TEIJIM LIMITED (JAPAN)
THREAD	SERAFIL 60	AMAN (GERMANY)

RISERS	FABRIC CODE	SUPPLIER
MATERIAL	WD103	COUSIN (FRANCE)
COLOR INDICATOR	PAD	TECNI SANGLES (FRANCE)
THREAD	V138	COATS (ENGLAND)
MAILLONS	MR14	ANSUNG PRECISION (KOREA)
PULLEYS	RF25109	RONSTAN (AUSTRALIA)



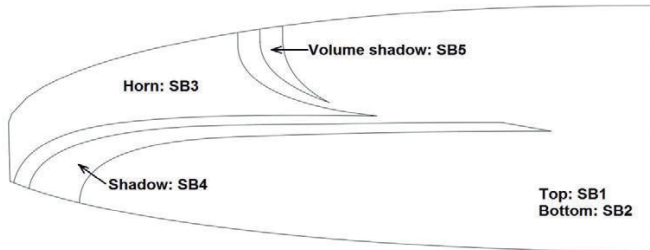


COLOURS TECHNICAL DATA

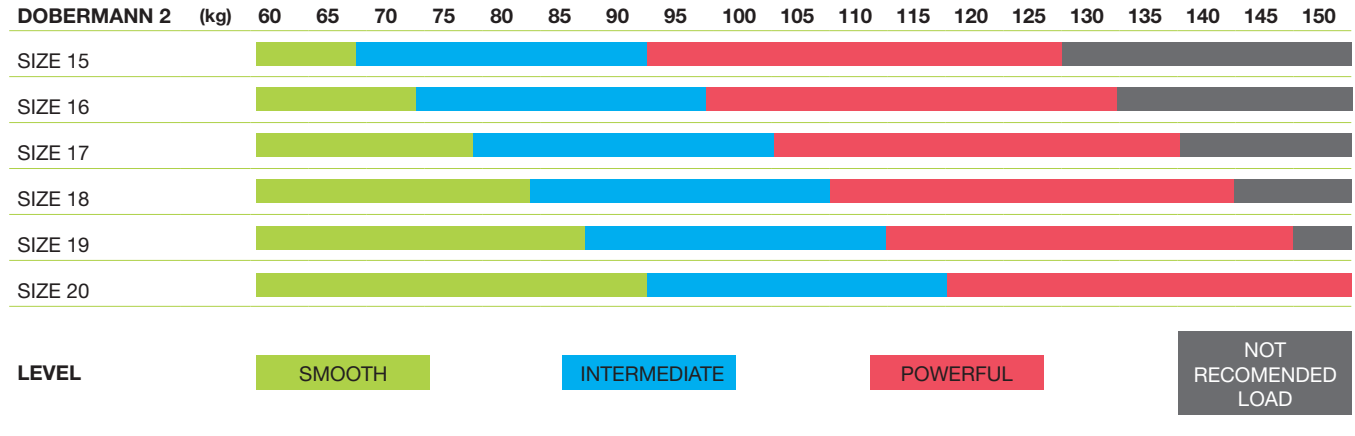
MAYA	SB1	GOLD	TOP	REF: 939
	SB2	GOLD	BOTTOM	REF: 939
	SB3	BLACK	HORN	REF: 102
	SB4	DRAGON RED	SHADOW	REF: 636
	SB5	WHITE	VOLUME SHADOW	REF: 001



EMERALD	SB1	LIMA	TOP	REF: 300
	SB2	LIMA	BOTTOM	REF: 300
	SB3	ROYAL BLUE	HORN	REF: 317
	SB4	BLACK	SHADOW	REF: 102
	SB5	WHITE	VOLUME SHADOW	REF: 001



LEVEL RANGE



LINES TECHNICAL DATA

DOBERMANN 2 15

REF.	MAT.	KG	COLOUR	m/m	REF.	MAT.	KG	COLOUR	m/m	REF.	MAT.	KG	COLOUR	m/m	REF.	MAT.	KG	COLOUR	m/m					
A					B					C					D					BRAKE				
a1	16330	145	ORG	2237	b1	12240	115	ORG	2213	c1	12240	115	ORG	2090	d1	16140	70	ORG	1660	br1	DC	40	WHT	1978
a2	16330	145	ORG	2158	b2	12240	115	ORG	2135	c2	12240	115	ORG	2001	d2	16140	70	ORG	1489	br2	DC	40	WHT	1833
a3	16330	145	ORG	2157	b3	12240	115	ORG	2133	c3	12240	115	ORG	1999	d3	16140	70	ORG	1448	br3	DC	40	WHT	1816
a4	16330	145	ORG	2055	b4	12240	115	ORG	2024	c4	12240	115	ORG	1912	d4	16140	70	ORG	1415	br4	DC	40	WHT	1752
a5	16330	145	ORG	1983	b5	12240	115	ORG	1956	c5	12240	115	ORG	1835	d5	16140	70	ORG	1394	br5	DC	40	WHT	1653
a6	16330	145	ORG	1961	b6	12240	115	ORG	1939	c6	12240	115	ORG	1819	d6	16140	70	ORG	1470	br6	DC	40	WHT	1630
a7	DC	100	WHT	911	b7	DC	100	WHT	898	c7	DC	60	WHT	846	d7	DC	60	WHT	803	br7	DC	40	WHT	532
a8	DC	60	WHT	799	b8	DC	60	WHT	788	c8	DC	60	WHT	707	d8	DC	60	WHT	683	br8	DC	40	WHT	453
a9	DC	60	WHT	522	b9	DC	60	WHT	515	c9	DC	60	WHT	459	d9	DC	60	WHT	453	br9	DC	40	WHT	448
a10	DC	60	WHT	514	b10	DC	60	WHT	511	c10	DC	60	WHT	491	d10	DC	60	WHT	438	br10	DC	40	WHT	471
a11	DC	60	WHT	267						c11	DC	60	WHT	264	d11	DC	60	WHT	236	br11	DC	40	WHT	2113
a12	DC	60	WHT	244						c12	DC	40	WHT	239	d12	DC	40	WHT	259					
2A1	16330	145	ORG	640	2B1	12240	115	ORG	581	2C1	16140	70	ORG	178	2D1	12240	115	ORG	1206	2BR1	TNL	80	RED	2500
2A2	12240	115	ORG	869	2B2	16140	70	ORG	809	2C2	16140	70	ORG	404	2D2	12240	115	ORG	1207	2BR2	TNL	80	RED	2458
2A3	16140	70	ORG	544						2C3	16140	70	ORG	535	2D3	16140	70	ORG	690	2BR3	TNL	80	RED	482
															2D4	16140	70	ORG	858	2BR4	TNL	80	RED	440
															2D5	16140	70	ORG	1051	MAIN TIPS	TNL	80	RED	2979
3A1	12950	405	ORG	2929	3B1	16560	240	ORG	2897	3C1	16560	240	ORG	3079	4D1	16560	240	ORG	2522	BR MAIN2	TNL	80	RED	2750
3A2	12950	405	ORG	2994	3B2	16560	240	ORG	2970	3C2	16560	240	ORG	3123										KNOT POINT: 2450
3A3	16560	240	ORG	3319	3B3	16330	145	ORG	3357	3C3	12240	115	ORG	420						BRMAIN	TNL	280	RED	1505
					ST	12240	115	ORG	3726	4C1	12470	200	ORG	3439										KNOT POINT: 1205

LINES TECHNICAL DATA

DOBERMANN 2 16

REF.	MAT.	KG	COLOUR	m/m	REF.	MAT.	KG	COLOUR	m/m	REF.	MAT.	KG	COLOUR	m/m	REF.	MAT.	KG	COLOUR	m/m					
A					B					C					D					BRAKE				
a1	16330	145	ORG	2348	b1	12240	115	ORG	2324	c1	12240	115	ORG	2194	d1	16140	70	ORG	1743	br1	DC	40	WHT	2077
a2	16330	145	ORG	2268	b2	12240	115	ORG	2243	c2	12240	115	ORG	2103	d2	16140	70	ORG	1565	br2	DC	40	WHT	1926
a3	16330	145	ORG	2268	b3	12240	115	ORG	2243	c3	12240	115	ORG	2102	d3	16140	70	ORG	1524	br3	DC	40	WHT	1909
a4	16330	145	ORG	2158	b4	12240	115	ORG	2126	c4	12240	115	ORG	2008	d4	16140	70	ORG	1487	br4	DC	40	WHT	1840
a5	16330	145	ORG	2083	b5	12240	115	ORG	2055	c5	12240	115	ORG	1928	d5	16140	70	ORG	1464	br5	DC	40	WHT	1736
a6	16330	145	ORG	2061	b6	12240	115	ORG	2038	c6	12240	115	ORG	1912	d6	16140	70	ORG	1545	br6	DC	40	WHT	1713
a7	DC	100	WHT	957	b7	DC	100	WHT	943	c7	DC	60	WHT	889	d7	DC	60	WHT	843	br7	DC	40	WHT	558
a8	DC	60	WHT	839	b8	DC	60	WHT	828	c8	DC	60	WHT	743	d8	DC	60	WHT	718	br8	DC	40	WHT	476
a9	DC	60	WHT	548	b9	DC	60	WHT	541	c9	DC	60	WHT	482	d9	DC	60	WHT	476	br9	DC	40	WHT	471
a10	DC	60	WHT	540	b10	DC	60	WHT	536	c10	DC	60	WHT	516	d10	DC	60	WHT	461	br10	DC	40	WHT	495
a11	DC	60	WHT	281						c11	DC	60	WHT	278	d11	DC	60	WHT	248	br11	DC	40	WHT	2378
a12	DC	60	WHT	256						c12	DC	40	WHT	251	d12	DC	40	WHT	272					
2A1	16330	145	ORG	673	2B1	12240	115	ORG	610	2C1	16140	70	ORG	187	2D1	12240	115	ORG	1278	2BR1	TNL	80	RED	2624
2A2	12240	115	ORG	913	2B2	16140	70	ORG	850	2C2	16140	70	ORG	424	2D2	12240	115	ORG	1283	2BR2	TNL	80	RED	2583
2A3	16140	70	ORG	571						2C3	16140	70	ORG	562	2D3	16140	70	ORG	724	2BR3	TNL	80	RED	506
															2D4	16140	70	ORG	901	2BR4	TNL	80	RED	463
															2D5	16140	70	ORG	1104	MAIN TIPS	TNL	80	RED	3134
3A1	12950	405	ORG	3102	3B1	16560	240	ORG	3068	3C1	16560	240	ORG	3259	4D1	16560	240	ORG	2663	BR MAIN2	TNL	80	RED	2750
3A2	12950	405	ORG	3174	3B2	16560	240	ORG	3150	3C2	16560	240	ORG	3310										KNOT POINT: 2450
3A3	16560	240	ORG	3518	3B3	16330	145	ORG	3557	3C3	12240	115	ORG	441						BRMAIN	TNL	280	RED	1590
					ST	12240	115	ORG	3946	4C1	12470	200	ORG	3645										KNOT POINT: 1290

LINES TECHNICAL DATA

DOBERMANN 2

17

REF.	MAT.	KG	COLOUR	m/m	REF.	MAT.	KG	COLOUR	m/m	REF.	MAT.	KG	COLOUR	m/m	REF.	MAT.	KG	COLOUR	m/m	REF.	MAT.	KG	COLOUR	m/m
A					B					C					D					BRAKE				
a1	16330	145	ORG	2420	b1	12240	115	ORG	2395	c1	12240	115	ORG	2261	d1	16140	70	ORG	1796	br1	DC	40	WHT	2140
a2	16330	145	ORG	2338	b2	12240	115	ORG	2312	c2	12240	115	ORG	2168	d2	16140	70	ORG	1613	br2	DC	40	WHT	1985
a3	16330	145	ORG	2339	b3	12240	115	ORG	2314	c3	12240	115	ORG	2169	d3	16140	70	ORG	1573	br3	DC	40	WHT	1969
a4	16330	145	ORG	2224	b4	12240	115	ORG	2191	c4	12240	115	ORG	2069	d4	16140	70	ORG	1532	br4	DC	40	WHT	1896
a5	16330	145	ORG	2148	b5	12240	115	ORG	2119	c5	12240	115	ORG	1988	d5	16140	70	ORG	1509	br5	DC	40	WHT	1790
a6	16330	145	ORG	2125	b6	12240	115	ORG	2101	c6	12240	115	ORG	1972	d6	16140	70	ORG	1592	br6	DC	40	WHT	1767
a7	DC	100	WHT	986	b7	DC	100	WHT	972	c7	DC	60	WHT	916	d7	DC	60	WHT	869	br7	DC	40	WHT	575
a8	DC	60	WHT	865	b8	DC	60	WHT	853	c8	DC	60	WHT	766	d8	DC	60	WHT	740	br8	DC	40	WHT	491
a9	DC	60	WHT	565	b9	DC	60	WHT	557	c9	DC	60	WHT	497	d9	DC	60	WHT	491	br9	DC	40	WHT	486
a10	DC	60	WHT	557	b10	DC	60	WHT	553	c10	DC	60	WHT	532	d10	DC	60	WHT	475	br10	DC	40	WHT	511
a11	DC	60	WHT	289						c11	DC	60	WHT	286	d11	DC	60	WHT	256	br11	DC	40	WHT	2548
a12	DC	60	WHT	264						c12	DC	40	WHT	259	d12	DC	40	WHT	280					
2A1	16330	145	ORG	693	2B1	12240	115	ORG	629	2C1	16140	70	ORG	193	2D1	12240	115	ORG	1324	2BR1	TNL	80	RED	2703
2A2	12240	115	ORG	941	2B2	16140	70	ORG	876	2C2	16140	70	ORG	437	2D2	12240	115	ORG	1332	2BR2	TNL	80	RED	2664
2A3	16140	70	ORG	588						2C3	16140	70	ORG	579	2D3	16140	70	ORG	746	2BR3	TNL	80	RED	522
															2D4	16140	70	ORG	929	2BR4	TNL	80	RED	477
															2D5	16140	70	ORG	1138	MAIN TIPS	TNL	80	RED	3233
3A1	12950	405	ORG	3213	3B1	16560	240	ORG	3178	3C1	16560	240	ORG	3374	4D1	16560	240	ORG	2753	BR MAIN2	TNL	80	RED	2750
3A2	12950	405	ORG	3289	3B2	16560	240	ORG	3264	3C2	16560	240	ORG	3430										KNOT POINT: 2450
3A3	16560	240	ORG	3645	3B3	16330	145	ORG	3685	3C3	12240	115	ORG	455						BRMAIN	TNL	280	RED	1644
					ST	12240	115	ORG	4087	4C1	12470	200	ORG	3776										KNOT POINT: 1344

LINES TECHNICAL DATA

DOBERMANN 2 18

REF.	MAT.	KG	COLOUR	m/m	REF.	MAT.	KG	COLOUR	m/m	REF.	MAT.	KG	COLOUR	m/m	REF.	MAT.	KG	COLOUR	m/m	REF.	MAT.	KG	COLOUR	m/m
A					B					C					D					BRAKE				
a1	16330	145	ORG	2489	b1	12240	115	ORG	2463	c1	12240	115	ORG	2326	d1	16140	70	ORG	1848	br1	DC	40	WHT	2201
a2	16330	145	ORG	2406	b2	12240	115	ORG	2379	c2	12240	115	ORG	2231	d2	16140	70	ORG	1661	br2	DC	40	WHT	2043
a3	16330	145	ORG	2408	b3	12240	115	ORG	2382	c3	12240	115	ORG	2233	d3	16140	70	ORG	1620	br3	DC	40	WHT	2027
a4	16330	145	ORG	2288	b4	12240	115	ORG	2254	c4	12240	115	ORG	2129	d4	16140	70	ORG	1576	br4	DC	40	WHT	1951
a5	16330	145	ORG	2210	b5	12240	115	ORG	2180	c5	12240	115	ORG	2045	d5	16140	70	ORG	1553	br5	DC	40	WHT	1842
a6	16330	145	ORG	2188	b6	12240	115	ORG	2163	c6	12240	115	ORG	2030	d6	16140	70	ORG	1638	br6	DC	40	WHT	1819
a7	DC	100	WHT	1015	b7	DC	100	WHT	1001	c7	DC	60	WHT	942	d7	DC	60	WHT	894	br7	DC	40	WHT	592
a8	DC	60	WHT	890	b8	DC	60	WHT	878	c8	DC	60	WHT	789	d8	DC	60	WHT	762	br8	DC	40	WHT	505
a9	DC	60	WHT	581	b9	DC	60	WHT	574	c9	DC	60	WHT	512	d9	DC	60	WHT	505	br9	DC	40	WHT	500
a10	DC	60	WHT	573	b10	DC	60	WHT	569	c10	DC	60	WHT	547	d10	DC	60	WHT	489	br10	DC	40	WHT	526
a11	DC	60	WHT	298						c11	DC	60	WHT	295	d11	DC	60	WHT	263	br11	DC	40	WHT	2713
a12	DC	60	WHT	271						c12	DC	40	WHT	267	d12	DC	40	WHT	288					
2A1	16330	145	ORG	713	2B1	12240	115	ORG	647	2C1	16140	70	ORG	198	2D1	12240	115	ORG	1369	2BR1	TNL	80	RED	2780
2A2	12240	115	ORG	968	2B2	16140	70	ORG	902	2C2	16140	70	ORG	450	2D2	12240	115	ORG	1379	2BR2	TNL	80	RED	2742
2A3	16140	70	ORG	605						2C3	16140	70	ORG	596	2D3	16140	70	ORG	768	2BR3	TNL	80	RED	537
															2D4	16140	70	ORG	956	2BR4	TNL	80	RED	491
															2D5	16140	70	ORG	1171	MAIN TIPS	TNL	80	RED	3330
3A1	12950	405	ORG	3321	3B1	16560	240	ORG	3285	3C1	16560	240	ORG	3486	4D1	16560	240	ORG	2841	BR MAIN2	TNL	80	RED	2750
3A2	12950	405	ORG	3402	3B2	16560	240	ORG	3376	3C2	16560	240	ORG	3546										KNOT POINT: 2450
3A3	16560	240	ORG	3768	3B3	16330	145	ORG	3810	3C3	12240	115	ORG	468						BRMAIN	TNL	280	RED	1697
					ST	12240	115	ORG	4224	4C1	12470	200	ORG	3904										KNOT POINT: 1397

LINES TECHNICAL DATA

DOBERMANN 2 19

REF.	MAT.	KG	COLOUR	m/m	REF.	MAT.	KG	COLOUR	m/m	REF.	MAT.	KG	COLOUR	m/m	REF.	MAT.	KG	COLOUR	m/m						
A					B					C					D					BRAKE					
a1	16330	145	ORG	2556	b1	12240	115	ORG	2530	c1	12240	115	ORG	2389	d1	16140	70	ORG	1898	br1	DC	40	WHT	2261	
a2	16330	145	ORG	2472	b2	12240	115	ORG	2445	c2	12240	115	ORG	2292	d2	16140	70	ORG	1707		br2	DC	40	WHT	2099
a3	16330	145	ORG	2475	b3	12240	115	ORG	2448	c3	12240	115	ORG	2295	d3	16140	70	ORG	1665		br3	DC	40	WHT	2083
a4	16330	145	ORG	2350	b4	12240	115	ORG	2315	c4	12240	115	ORG	2187	d4	16140	70	ORG	1620		br4	DC	40	WHT	2004
a5	16330	145	ORG	2271	b5	12240	115	ORG	2240	c5	12240	115	ORG	2102	d5	16140	70	ORG	1595		br5	DC	40	WHT	1893
a6	16330	145	ORG	2248	b6	12240	115	ORG	2222	c6	12240	115	ORG	2087	d6	16140	70	ORG	1683		br6	DC	40	WHT	1870
a7	DC	100	WHT	1043	b7	DC	100	WHT	1028	c7	DC	60	WHT	968	d7	DC	60	WHT	919		br7	DC	40	WHT	608
a8	DC	60	WHT	915	b8	DC	60	WHT	902	c8	DC	60	WHT	811	d8	DC	60	WHT	783		br8	DC	40	WHT	519
a9	DC	60	WHT	597	b9	DC	60	WHT	589	c9	DC	60	WHT	526	d9	DC	60	WHT	519		br9	DC	40	WHT	514
a10	DC	60	WHT	589	b10	DC	60	WHT	585	c10	DC	60	WHT	563	d10	DC	60	WHT	502		br10	DC	40	WHT	541
a11	DC	60	WHT	306						c11	DC	60	WHT	303	d11	DC	60	WHT	270		br11	DC	40	WHT	2873
a12	DC	60	WHT	279						c12	DC	40	WHT	274	d12	DC	40	WHT	296						
2A1	16330	145	ORG	733	2B1	12240	115	ORG	665	2C1	16140	70	ORG	203	2D1	12240	115	ORG	1413	2BR1	TNL	80	RED	2855	
2A2	12240	115	ORG	995	2B2	16140	70	ORG	926	2C2	16140	70	ORG	463	2D2	12240	115	ORG	1425		2BR2	TNL	80	RED	2818
2A3	16140	70	ORG	622						2C3	16140	70	ORG	612	2D3	16140	70	ORG	789		2BR3	TNL	80	RED	551
															2D4	16140	70	ORG	983		2BR4	TNL	80	RED	505
															2D5	16140	70	ORG	1204		MAIN TIPS	TNL	80	RED	3424
3A1	12950	405	ORG	3425	3B1	16560	240	ORG	3388	3C1	16560	240	ORG	3595	4D1	16560	240	ORG	2926		BR MAIN2	TNL	80	RED	2750
3A2	12950	405	ORG	3511	3B2	16560	240	ORG	3484	3C2	16560	240	ORG	3659											KNOT POINT: 2450
3A3	16560	240	ORG	3888	3B3	16330	145	ORG	3931	3C3	12240	115	ORG	481							BRMAIN	TNL	280	RED	1749
					ST	12240	115	ORG	4357	4C1	12470	200	ORG	4028											KNOT POINT: 1449

LINES TECHNICAL DATA

DOBERMANN 2 20

REF.	MAT.	KG	COLOUR	m/m	REF.	MAT.	KG	COLOUR	m/m	REF.	MAT.	KG	COLOUR	m/m	REF.	MAT.	KG	COLOUR	m/m					
A					B					C					D					BRAKE				
a1	16330	145	ORG	2622	b1	12240	115	ORG	2595	c1	12240	115	ORG	2450	d1	16140	70	ORG	1947	br1	DC	40	WHT	2319
a2	16330	145	ORG	2536	b2	12240	115	ORG	2509	c2	12240	115	ORG	2352	d2	16140	70	ORG	1751	br2	DC	40	WHT	2154
a3	16330	145	ORG	2541	b3	12240	115	ORG	2513	c3	12240	115	ORG	2356	d3	16140	70	ORG	1710	br3	DC	40	WHT	2138
a4	16330	145	ORG	2411	b4	12240	115	ORG	2375	c4	12240	115	ORG	2243	d4	16140	70	ORG	1661	br4	DC	40	WHT	2055
a5	16330	145	ORG	2330	b5	12240	115	ORG	2298	c5	12240	115	ORG	2156	d5	16140	70	ORG	1637	br5	DC	40	WHT	1943
a6	16330	145	ORG	2307	b6	12240	115	ORG	2281	c6	12240	115	ORG	2141	d6	16140	70	ORG	1727	br6	DC	40	WHT	1919
a7	DC	100	WHT	1070	b7	DC	100	WHT	1055	c7	DC	60	WHT	993	d7	DC	60	WHT	942	br7	DC	40	WHT	623
a8	DC	60	WHT	939	b8	DC	60	WHT	926	c8	DC	60	WHT	832	d8	DC	60	WHT	803	br8	DC	40	WHT	532
a9	DC	60	WHT	612	b9	DC	60	WHT	605	c9	DC	60	WHT	539	d9	DC	60	WHT	532	br9	DC	40	WHT	527
a10	DC	60	WHT	604	b10	DC	60	WHT	600	c10	DC	60	WHT	577	d10	DC	60	WHT	515	br10	DC	40	WHT	556
a11	DC	60	WHT	314						c11	DC	60	WHT	311	d11	DC	60	WHT	277	br11	DC	40	WHT	3029
a12	DC	60	WHT	286						c12	DC	40	WHT	281	d12	DC	40	WHT	304					
2A1	16330	145	ORG	752	2B1	12240	115	ORG	682	2C1	16140	70	ORG	209	2D1	12240	115	ORG	1455	2BR1	TNL	80	RED	2928
2A2	12240	115	ORG	1021	2B2	16140	70	ORG	950	2C2	16140	70	ORG	475	2D2	12240	115	ORG	1470	2BR2	TNL	80	RED	2892
2A3	16140	70	ORG	637						2C3	16140	70	ORG	627	2D3	16140	70	ORG	809	2BR3	TNL	80	RED	566
															2D4	16140	70	ORG	1008	2BR4	TNL	80	RED	518
															2D5	16140	70	ORG	1235	MAIN TIPS	TNL	80	RED	3515
3A1	12950	405	ORG	3527	3B1	16560	240	ORG	3489	3C1	16560	240	ORG	3701	4D1	16560	240	ORG	3010	BR MAIN2	TNL	80	RED	2750
3A2	12950	405	ORG	3617	3B2	16560	240	ORG	3590	3C2	16560	240	ORG	3769										KNOT POINT: 2450
3A3	16560	240	ORG	4005	3B3	16330	145	ORG	4049	3C3	12240	115	ORG	493						BRMAIN	TNL	280	RED	1799
					ST	12240	115	ORG	4486	4C1	12470	200	ORG	4149										KNOT POINT: 1499

LINES HEIGHT m/m

	A	B	C	D	br
1	5151	5101	5159	5378	5683
2	5073	5022	5070	5207	5538
3	5071	5020	5068	5166	5521
4	5033	4984	5025	5134	5415
5	4962	4917	4948	5112	5316
6	4940	4899	4932	5189	5293
7	4861	4830	4879	4927	5198
8	4749	4720	4740	4807	5119
9	4699	4676	4717	4746	5072
10	4692	4671	4749	4731	5095
11	4532		4521	4721	4563
12	4509		4496	4744	

RISERS LENGTH m/m

	A	B	C	D	
	480	480	480	480	STANDARD
	480	530	580	670	ACCELERATED
	305	415	580	760	TRAVEL

LINES HEIGHT m/m

	A	B	C	D	br
1	5435	5382	5443	5674	5991
2	5355	5301	5352	5496	5840
3	5355	5302	5351	5455	5823
4	5317	5265	5308	5422	5713
5	5242	5195	5228	5400	5609
6	5220	5177	5212	5480	5586
7	5137	5105	5156	5207	5488
8	5020	4990	5011	5082	5406
9	4968	4943	4987	5017	5358
10	4960	4938	5021	5002	5382
11	4792		4781	4992	4828
12	4768		4754	5016	

RISERS LENGTH m/m

	A	B	C	D	
	480	480	480	480	STANDARD
	480	530	580	670	ACCELERATED
	305	415	580	760	TRAVEL

LINES HEIGHT m/m

	A	B	C	D	br
1	5618	5563	5625	5864	6187
2	5536	5480	5532	5681	6032
3	5537	5482	5533	5640	6016
4	5498	5445	5489	5607	5904
5	5422	5373	5407	5584	5798
6	5400	5355	5392	5667	5775
7	5314	5281	5334	5386	5674
8	5193	5162	5185	5257	5590
9	5140	5114	5160	5191	5540
10	5132	5109	5195	5175	5565
11	4959		4947	5165	4998
12	4934		4920	5190	

RISERS LENGTH m/m

	A	B	C	D	
	480	480	480	480	STANDARD
	480	530	580	670	ACCELERATED
	305	415	580	760	TRAVEL

LINES HEIGHT m/m

	A	B	C	D	br
1	5795	5738	5802	6048	6378
2	5712	5654	5707	5861	6220
3	5714	5657	5709	5820	6204
4	5675	5620	5665	5787	6090
5	5597	5546	5581	5763	5981
6	5574	5529	5566	5848	5958
7	5486	5452	5507	5561	5856
8	5362	5330	5353	5428	5769
9	5307	5280	5328	5360	5718
10	5299	5275	5364	5343	5744
11	5121		5109	5333	5163
12	5095		5081	5359	

RISERS LENGTH m/m

	A	B	C	D	
	480	480	480	480	STANDARD
	480	530	580	670	ACCELERATED
	305	415	580	760	TRAVEL

LINES HEIGHT m/m

	A	B	C	D	br
1	5967	5909	5974	6227	6565
2	5883	5823	5877	6036	6403
3	5886	5827	5880	5995	6387
4	5846	5790	5836	5961	6271
5	5767	5715	5751	5937	6160
6	5744	5697	5736	6025	6137
7	5654	5619	5675	5730	6032
8	5526	5493	5517	5594	5943
9	5470	5442	5492	5524	5892
10	5461	5437	5529	5507	5919
11	5279		5266	5497	5323
12	5252		5237	5523	

RISERS LENGTH m/m

	A	B	C	D	
	480	480	480	480	STANDARD
	480	530	580	670	ACCELERATED
	305	415	580	760	TRAVEL

LINES HEIGHT m/m

	A	B	C	D	br
1	6135	6075	6141	6402	6746
2	6049	5988	6043	6206	6581
3	6053	5993	6047	6165	6565
4	6013	5955	6003	6131	6446
5	5932	5879	5916	6106	6334
6	5910	5861	5901	6197	6310
7	5817	5781	5839	5895	6203
8	5686	5652	5677	5756	6112
9	5628	5599	5651	5684	6059
10	5620	5594	5689	5667	6088
11	5433		5419	5656	5479
12	5405		5390	5683	

RISERS LENGTH m/m

	A	B	C	D	
	480	480	480	480	STANDARD
	480	530	580	670	ACCELERATED
	305	415	580	760	TRAVEL

SUSPENSION TECHNICAL DATA

DOBERMANN 2

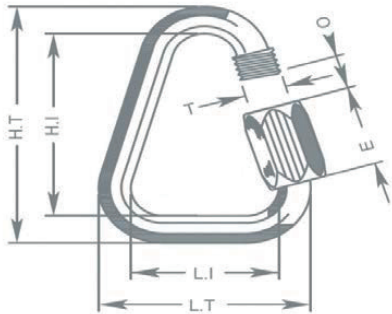
MATERIAL CODE		DC	DC	DC	TNL	TNL	16140	12240	16330	12470	12950	16560
STRENGTH CODE		40	60	100	080	280	70	115	145	200	405	240
DIAMETER m/m	Ø	0,5	0,6	0,8	1,1	1,8	0,7	0,9	1	1,2	1,6	1,4
CORE MATERIAL		DYNEEMA	DYNEEMA	DYNEEMA	TECHNORA	Technora	VECTRAM	VECTRAM	VECTRAM	VECTRAM	VECTRAM	VECTRAM
SLEEVE MATERIAL		NO	NO	NO	POLYESTER	POLYESTER	NO	NO	NO	NO	NO	NO
WEIGHT g/m	TOTAL	0,19	0,24	0,42	1,1	2,7	0,39	0,57	0,77	1,17	2	1,59
BREAKING STRENGTH	MINIMUM	40	60	100	80	280	70	115	145	200	405	240
	MAXIMUM	48	84	110	92	320	74	122	153	215	430	255
STRENGTH AFTER												
5.000 BENDING CYCLES	TEST EN	33	74	99	36,7	134,7	31	60,9	77,5	112,1	237,5	185,5
ELONGATION AT	5 dan en %				0,3	0,2	0,75	0,2	0,2	0,2	0,35	0,1
	10 dan en %		0,43	0,36	0,5	0,3	1	0,4	0,4	0,3	0,4	0,3
	15 dan en %				0,7	0,4	1,1	0,4	0,7	0,4	0,5	0,4
	20 dan en %				1	0,4	1,4	0,9	0,8	0,5	0,7	0,5
	25 dan en %				1,3	0,5	1,75	1	0,9	0,6	0,9	0,6
	30 dan en %		1,2	1	2,3	0,9	2,75	1,6	1,5	1	1	1
	75 dan en %				2,8	1,3		2	2	1,4	1,3	1,2
	100 dan en %					1,7		3	2,4	1,7	1,7	1,5
	125 dan en %					2			3	2,1	1,8	1,9
	150 dan en %					2,3			3,6	2,4	1,9	2,1
	175 dan en %					2,7				2,8	2	2,4
	200 dan en %					2,8				3,2	2,4	2,7
											2,7	3,1
ELONGATION MAX. BREAKING STRENGTH %			3,2	3,4	3	4,1	3,7	3,5	3,7	3,4	4,2	3,5

MAILLON TECHNICAL DATA

DESCRIPTION

MAILLON	DELTA
CODE	MRI4
MATERIAL	STAINLESS STEEL
SIZE	4,3 m/m
WEIGHT	12 g/piece

TECHNICAL SPECIFICATIONS



DIMENSIONS	m/m
L.T.	28
L.I.	20
H.T.	38
H.I.	30
O	4
E	11
T	4
LOAD	kg
WORKING LIMIT	150
BREAKING	750

MATERIAL

AISI 304 STAINLESS STEEL	STANDARD
--------------------------	----------

CLOSING APPLIED BY MANUAL & ENTIRE SCREWING OF THE NUT
 TO GUARANTEE THE HIGHEST SAFETY (NO THREAD SHOULD BE OBVIOUS)

SYSTEMATIC CONTROL OF MAILLON QUICK-LINKS BEFORE EVERY FLIGHT

THREAD TECHNICAL DATA**SAIL MAKING**

NAME	SERAFIL
N° OF REFERENCE	60
MATERIAL	POLYESTER
TYPE OF FINISH	SILK
LINEAR DENSITY	NM 61 / 3 (DTEX 163 * 3)
BREAKING STRENGTH	3,000 CN
ELONGATION	17,00%

SERAFIL PROPERTIES

SOLIDITY ARTIFICIAL LIGTH	ISO 105 B02 > 5 - 6
SOLIDITY SWEAT	ISO 105 E04 > 4
SOLIDITY WASHING	ISO 105 C04 > 3
SOLIDITY GRAZE IN DRY	ISO 105 X12 > 4
SOLIDITY WASHING IN DRY	ISO 105 D01 > 3 - 4

TREATMENT WATER REPELLENT	WR
---------------------------	----

RISERS MAKING

NAME	COATS BONDED C.F.P.
N° OF REFERENCE	V138
MATERIAL	POLYESTER
TYPE OF FINISH	SILK
BREAKING STRENGTH	9,5 KG
ELONGATION	19%

RISERS TECHNICAL DATA**RISERS**

N° OF REFERENCE	WD103
MATERIAL	POLYESTER & TECHNORA
WIDTH	19 m/m
THICKNESS	1,6 m/m
BREAKING STRENGTH	850 kg
ELONGATION	MAX. 12%
WEIGHTH	23 g/m
COLOR	BLACK

COLOR INDICATOR

N° OF REFERENCE	IC-G 1-2
MATERIAL	POLYESTER
WIDTH	70 m/m
THICKNESS	0,80 m/m
BREAKING STRENGTH	130 DN
ELONGATION	35 %
WEIGHTH	32 G * L.M.
COLOR	GREEN

LOOPS

N° OF REFERENCE	LKI - 10
MATERIAL	NYLON
WIDTH	10 m/m
BREAKING STRENGTH	84 kg
ELONGATION	30 %
WEIGHTH	5,5 g/m
COLOR	WHITE

